

Wausau's design engineers use state-of-the-art curtainwall and window wall products to bring new life and increased value to old buildings. Improve appearance, energy efficiency, occupant productivity and comfort, minimizing maintenance and extending building life.

Wausau can take the lead in assessment of the existing structure, product selection, customization, applications engineering, and mockup testing - helping ensure safe and hassle-free installation,

ADAPTIVE RE-USE AND RENOVATION WITH ALUMINUM CURTAINWALL



Case Study: 1001 17th Street Denver, Colorado Barber Architecture LEED®-EB
Products: Wausau 6250 Series SuperWall™ thermal barrier curtainwall
Linetec 70% PVDF mica paint and matching eco-friendly champagne anodize
Viracon Radiant Low-E VPE insulating glass



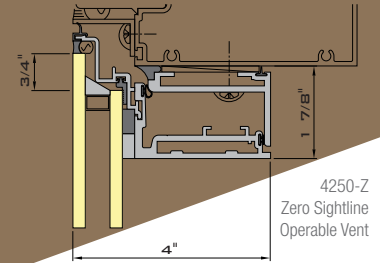
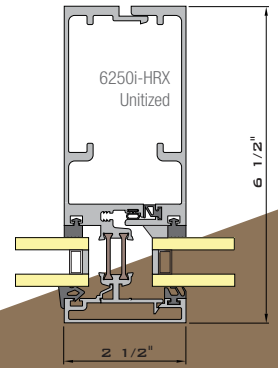
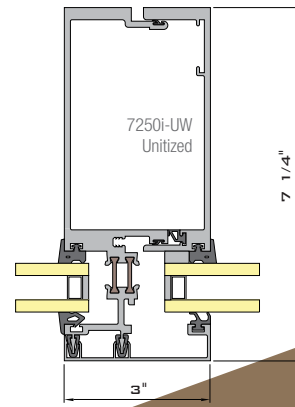
WAUSAU
WINDOW AND WALL
SYSTEMS

WAUSAU INVISION™ UNITIZED WALL

FACTORY-GLAZED FOR EASE OF INSTALLATION

HIGH PERFORMANCE POLYAMIDE THERMAL BARRIER

- Interlocking frame design accommodates seismic, live load, and thermal building movements
- Pressure-equalized rain screen design
- Captured, vertical or four-side structural glazed
- Glazing and sealing in a controlled factory environment
- High recycled content aluminum framing
- Thermally-improved unitized walls also available.

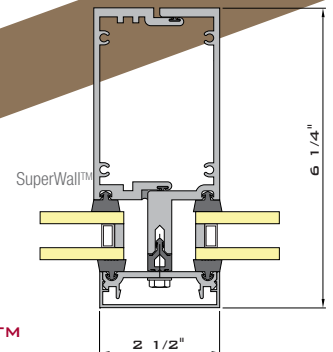
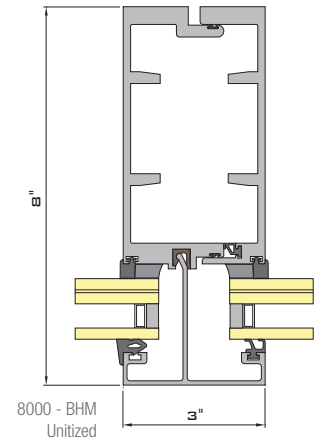


WALL PRODUCTS AVAILABLE WITH CLEAR STORY™
SUN SHADES AND LIGHT SHELVES

8000/8000i-BHM

BLAST HAZARD MITIGATING UNITIZED WALL
WAUSAU ENGINEERING EXPERTISE

- Blast performance up to 33 psi peak pressure, 81 psi-msec impulse
- Interlocking frame design accommodates seismic, live load and thermal building movements
- Thermally improved - polyamide thermal barrier optional
- Structural silicone glazing and sealing in a controlled factory environment
- Accepts up to 3/4" vertical movement



WAUSAU SUPERWALL™

SETTING THE STANDARD FOR OVER 30 YEARS
FACTORY-ASSEMBLED . 3/8" THERMAL BARRIER

- Captured or vertical structural glazed
- Full 1/8" extrusion wall thickness
- Splayed mullions available for segmented radii
- Screw-spline construction
- Also available: High-performance Wausau HP-Wall

Case Study: Zorinsky Federal Building Omaha, Nebraska
Leo A. Daly Architects GSA "Demolition Derby" Award
Products: Wausau custom BHM unitized thermal barrier curtainwall
Linetec eco-friendly clear anodize
Viracon VE1-85 spectrally-selective Low-E laminated insulating glass

FINISHES

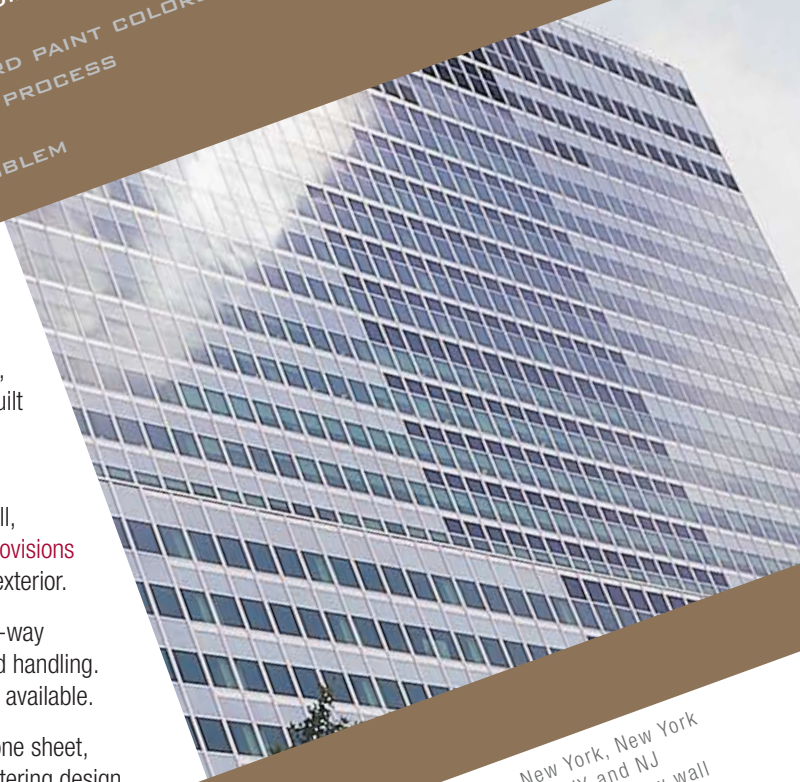
EIGHT STANDARD ECO-FRIENDLY ANODIZE FINISHES INCLUDING LINETEC'S UNIQUE COPPER ANODIZE PLUS 20 QUICK-TURN STANDARD PAINT COLORS FROM A 100% VOC CAPTURE PROCESS
 CUSTOM COLOR? ...NO PROBLEM

Unitized curtainwall is **factory-assembled and -glazed**, then shipped to the job site in custom-built crates, facilitating unloading, hoisting, and distribution on-site.

Each unit, typically one lite wide by one floor tall, comes equipped with **picking and alignment provisions** for safe, efficient handling from the interior or exterior.

Jack-bolt anchors (pictured) allow for full three-way **adjustment "off the rig,"** optimizing hoisting and handling. Edge- and top-of-slab anchor base options are available.

Only **one unit-to-unit splice**, a translucent silicone sheet, needs to be field-sealed. Wausau's proven guttering design, and membrane interface design expertise, help ensure weatherability under extreme conditions, even in high-rise applications.



EASE OF INSTALLATION

Case Study: Two Broadway New York, New York
 The Port Authority of NY and NJ
 Products: Wausau custom unitized window wall and mullion cladding
 Linetec 70% PVDF silver metallic paint
 High-performance spectrally-selective low-E insulating glass



CHOOSING BETWEEN STICK and UNITIZED CURTAINWALL SYSTEMS

| Selection Criteria | Stick Curtainwall | Unitized Curtainwall |
|-----------------------|--|--|
| Project Size | Small | Large |
| Wall Configuration | Complex <small>Many changes in plane, e.g. soffits, corners, etc.</small> | Monolithic <small>Large expanses of flat wall</small> |
| Joint Pattern | Random | Uniform horizontal sill line |
| Glazing | Field | Factory |
| Inter-story Movements | Very limited | Inter-locking frames take movements |
| Quality Control | Subject to site variables <small>Both environment and equipment</small> | Controlled factory conditions |
| Modification | Can be cut-to-fit in the field | Pre-engineered |
| Sealing | Subject to site variables | Minimal field sealing |
| Field Labor Cost | High <small>Many parts to track and assemble</small> | Low <small>Often setting 75 sqft or more per unit</small> |
| Field Labor Duration | Slow | Fast <small>Up to 50 units per day reported</small> |
| Access and Safety | Exterior access required | Set from the interior <small>Exterior optional</small> |



HIGH RECYCLED CONTENT
ALUMINUM FRAMING

Choosing efficient windows for a commercial building can be difficult, using published U-Factor, Solar Heat Gain Coefficient, Visible Light Transmittance, and Condensation Resistance Factor, as relative importance depends on site- and building-specific variables.

ENERGY MODELING TOOL

Now available as an online support resource at www.wausauwindow.com, Wausau's Energy Modeling Tool* provides comparative **building energy** performance - annual energy use, peak demand, carbon emissions, daylight, glare, and condensation - to **optimize product selection**.

* Developed by the University of Minnesota Center for Sustainable Building Research. Simulations use COMFEN from Lawrence Berkeley National Labs' Windows and Daylighting Group.

For more on historic buildings, download Wausau's "Historically-Influenced Window Replacement" brochure.



OUR ARCHITECTURAL SUPPORT TEAM IS AVAILABLE FOR DESIGN CONSULTATION AND BUDGET PRICING - OR FIND COMPREHENSIVE TECHNICAL INFORMATION AT www.wausauwindow.com

"iNvision," "SuperWall" and "ClearStory" are trademarks of Apogee Wausau Group, Inc. All rights reserved. ©2014 Apogee Wausau Group, Inc.



WAUSAU
WINDOW AND WALL
SYSTEMS

7800 INTERNATIONAL DRIVE WAUSAU, WI 54401
TOLL FREE 1 877 678 2983 FAX 1 715 843 4350
E-MAIL INFO@WAUSAUWINDOW.COM